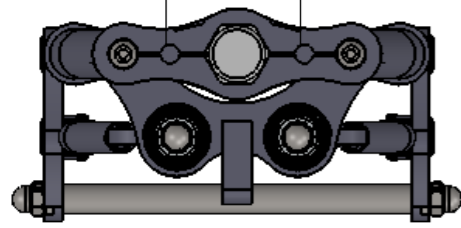


Standard size for use of any Harley risers.



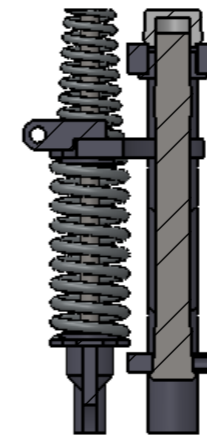
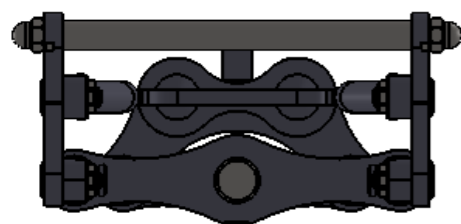
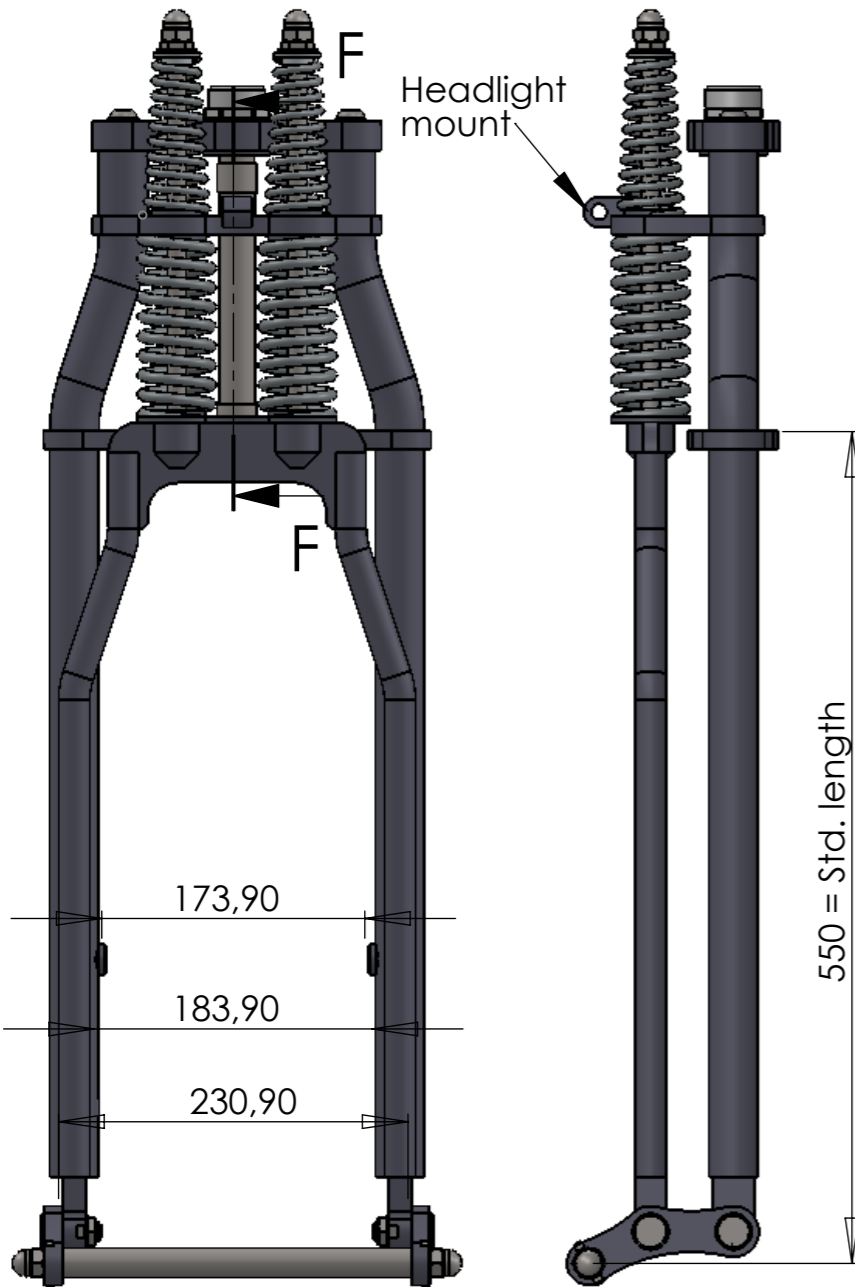
The length of a springer fork is measured from the top of the bottom tripple tree to the centre of the wheel axle.

Standard size is 550 mm.

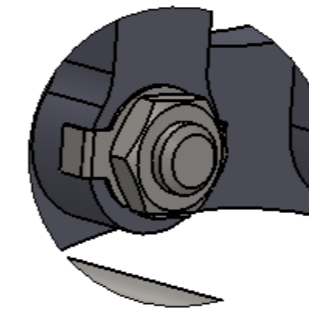
Below a table of our standard sizes:

- 3" 473,8 mm
- 2" 499,2 mm
- Std. 550 mm
- +2" 600,8 mm
- +4" 651,6 mm
- +6" 702,4 mm
- +8" 753,2 mm
- +10" 804 mm
- +12" 854,8 mm

Other sizes in under- or overstock are possible, but only on special request.



SECTION F-F



SCHAAL:	1:5	DATUM:	MnM Design springer V.5.3.16
GETEKEND:	M. Smit	13-11-15	
GEZIEN:			
UNITS:	MM		



Tekening nummer				
Wijziging				
				A3